



Water Solutions

# IMMERSION PUMPS



## DESCRIPTION

These are simple Centrifugal Pumps mounted on a extended shaft motor such that the extended Pump portion remains immersed in liquid to be pumped.

## APPLICATIONS

To handle water from shallow Tanks in Textile Units, Kerosene in Granite cutting & polishing machines, coolant in large machines & many other Industrial Applications.

## SALIENT FEATURES

### T. E. F. C. Motor.

Complete protection to motor winding from ingress of liquid handled. Balanced Impeller for minimum vibration. Semi open impeller to handle some solids along with liquid.

## TECHNICAL DATA

TYPE	RPC-1	RPC-2
<b>MOTOR</b>		
HP/KW	1/0.75	2/1.5
VOLTAGE	410	410
Hz	50c/s	50 c/s
Amps	1.7	3.2
RPM	2800	2800
PUMP Std : -	1/1/4" (32mm)	
PIPE CONNECTION on demand	1"(25mm)	2"(50mm)
IMMERSION DEPTH	320mm	470mm
MOUNTING FLANGE Dia.	180mm	180mm

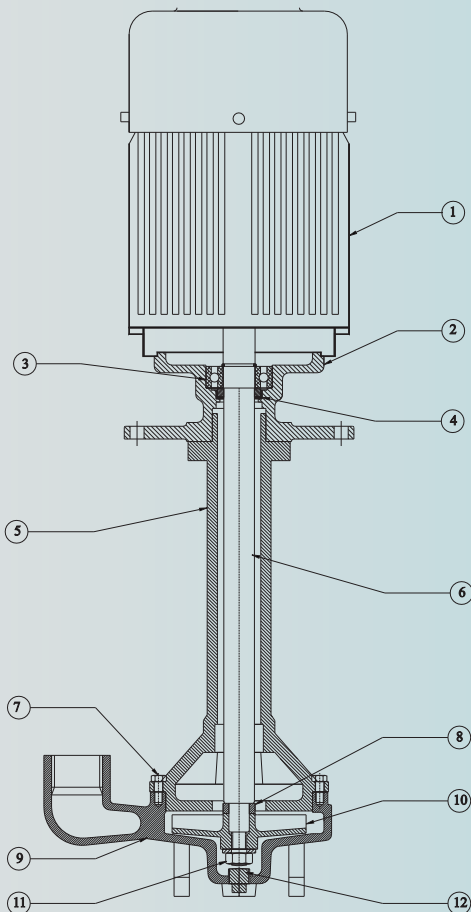
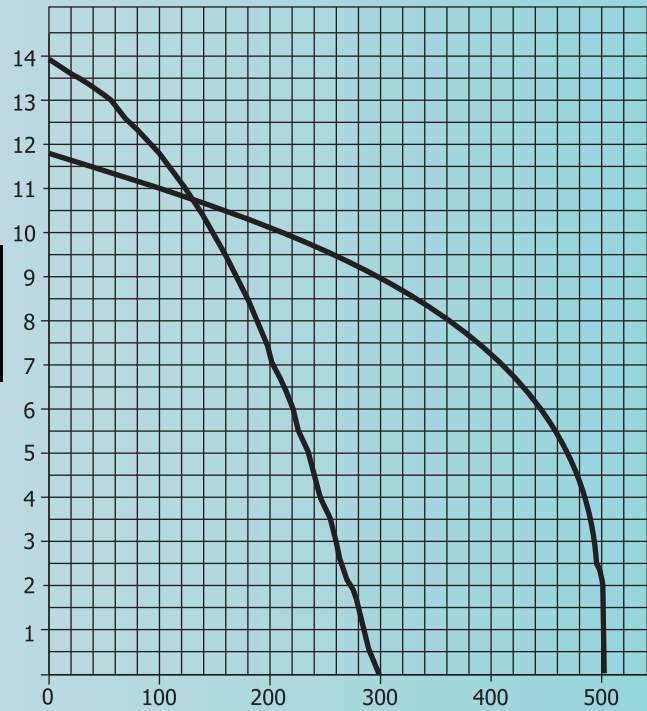
# IMMERSION PUMPS

## CONSTRUCTION

Pump Body	-	Cast Iron
Impeller	-	Cast Iron/Gun Metal
Shaft	-	Carbon Steel/S. S
Column with mounting flange	-	Cast Iron

## PERFORMANCE

PUMP	POWER kW /HP	OUTPUT IN LPM	TOTAL HEAD IN mtrs.				
			3	6	9	11	13.5
RPC 1	0.75 / 1		260	220	165	120	30
RPC 2	1.5 / 2		485	440	275	100	-



## PARTS LIST

1. MOTOR
2. ADAPTOR FLANGE
3. BEARING
4. OIL SEAL
5. COLUMN
6. SHAFT
7. M.S. BOLT
8. SHAFT BUSH
9. VOLUTE
10. IMPELLER
11. LOCK NUT SS
12. COCK