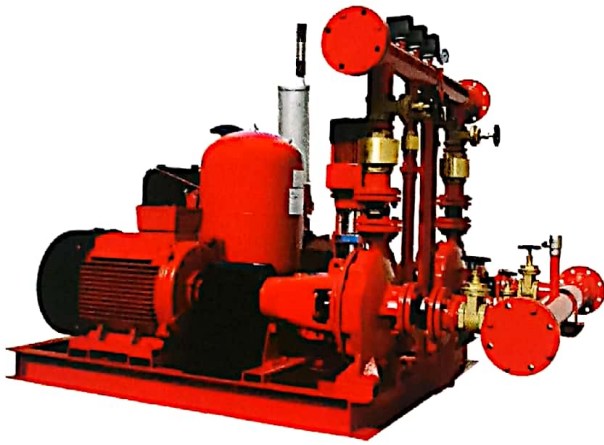


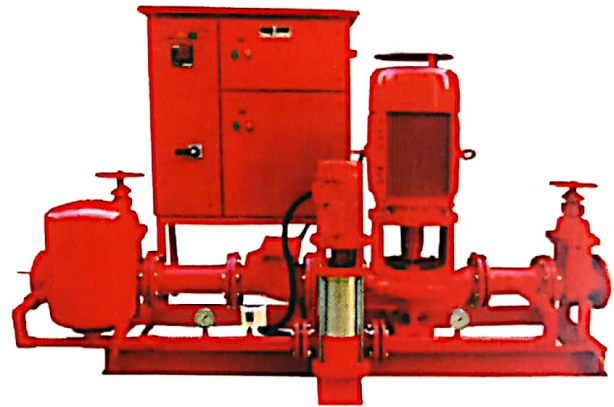


RAJ PUMPS

Simply The Best



**Diesel Engine &
Electric Motor Driven**



Electric Motor Driven

Vertical In-Line Fire Fighting Pumps and Package Systems

RAJ PUMPS fire fighting pumps are available with full range of optional accessories as well as complete package systems. Electric driven packages with vertical inline pumps and diesel engine driven with back pulout horizontal pump. capacity ranges upto 4000 lph and pressure upto 90 mtr.

The introduction of these packages are the result of knowledge, experience and manufacturing capabilities of **RAJ PUMPS** in the fire protection field - your assurance of high quality and reliability. The following describes some of the outstanding features of these units.

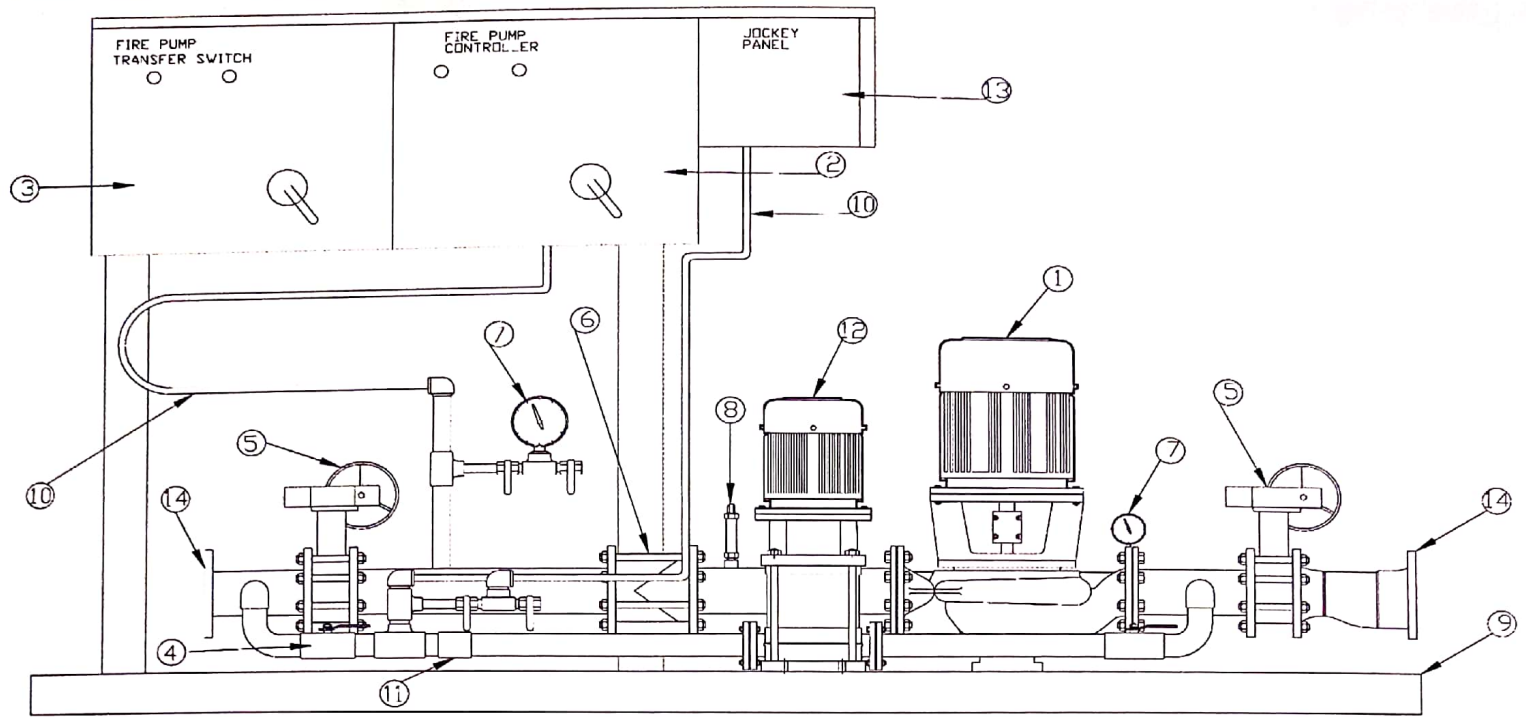
Space Saving

- Valuable savings in floor space.
- Ideal when space is at a premium.
- Fits through a standard door.
- Ideal for retrofit installation.
- Alignment problem eliminated.

Cost Saving

- Less installation time.
- Simplified piping design.
- Foundations not required.
- Inertia base not required.
- Single source responsibility.

FITS IN SPACE NOT NORMALLY ACCESSIBLE TO OTHER FIRE PUMPS.



Fire Package System Content

- | | | |
|--|--|--------------------------------------|
| 01. Vertical Inline Fire Pumpset. | 02. Fire Pump Control Panel | 03. Automatic Transfer Switch |
| 04. Suction Butterfly Valve | 05. Discharge Butterfly Valve | 06. Check Valve |
| 07. Gauges | 08. Casing Relief Valve | 09. Structural Steel Base |
| 10. Sensing Line | 11. Test Tee | 12. Jockey Pumpset |
| 13. Jockey Pump Controller | 14. Inlet & Outlet Flange Connections | |

Fire Fighting Pumps



Jockey Pump



Main Fire Fighting Pump



RAJ PUMPS
Simply The Best

9, HEAVY INDUSTRIAL AREA. JODHPUR - 342003 (INDIA)

Contact Us 

+91-291-2740937, 2741461

Email 

sales@rajpumps.com

info@rajpumps.com