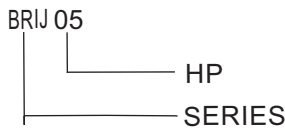




BRIJ

**Regenerative side suction
top delivery Pump set**

NOMENCLATURE



POWER	POWER	KW
05	0.5	0.37
10	1.0	0.75



PUMP

- Regenerative, self primary design.
- Suction lift 6.5m/ 21ft.
- For clear, cold, potable water.
- Carbon-Ceramic mechanical seal.
- Side suction/Top delivery.

MOTOR

- Capacitor start, induction run.
- Totally enclosed, fan cooled.
- Horizontal, surface, foot mounted.
- Single phase, 220/240V, 50Hz.
- 2 pole/2800rpm, synchronous.
- Continuous duty, class S1.
- Insulation class, 'B', 70°C, maximum temperature rise.
- Thermally protected.

APPLICATIONS

- Residential Pumping, bungalows/ small houses/ 3storey buildings.
- Pressure boosting/ automatic Pumping systems.
- Gardening/ domestic sprinklers.
- Recirculation/ coolers, water curtains, waterfalls, fountains.

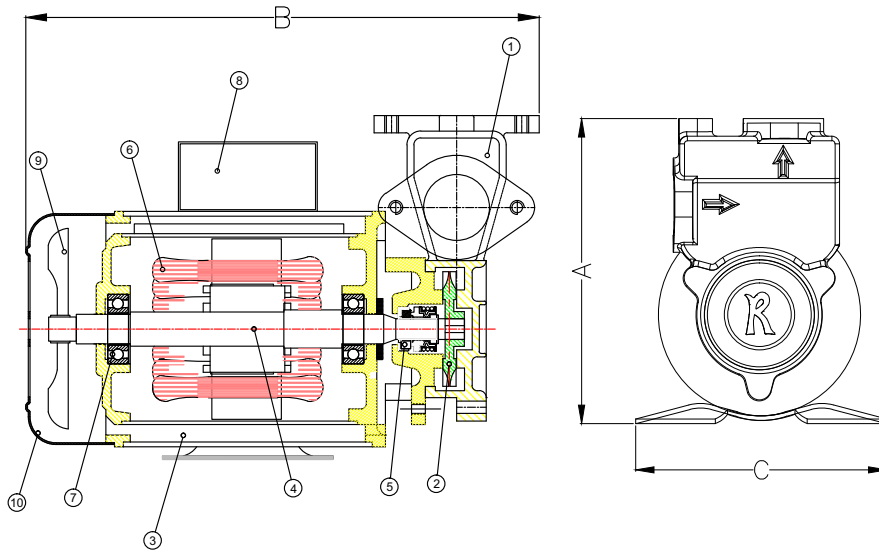
SPECIAL FEATURES

- No foot valve required/ no regular priming required.
- High tensile bronze impeller, wear resistant for longer life.
- Stainless steel shaft, to avoid corrosion.
- Compact but robust/ handy design for perfect portability.
- Suitable for domestic electric supply, plug & play type.
- High efficiency for lower power consumption.
- Anti-friction ball bearings are of 'SKF' make only, extra long, silent running.
- No special preventive maintenance required.

USAGE INSTRUCTIONS

- Suitable for clean, clear, cold potable water only.
- Initial priming is required at the time of installation only.
- No contamination of abrasive particles/ chemically aggressive elements allowed.
- Max. ambient temperature 50°C, & max. temperature rise above ambient temperature allowed is 70°C.
- Shall be installed horizontally & shall be safe guarded from flooding & submergence.
- Provided with thermal overload protection relay, in case of tripping due to overload, Pump will restart automatically once recovered from overload.

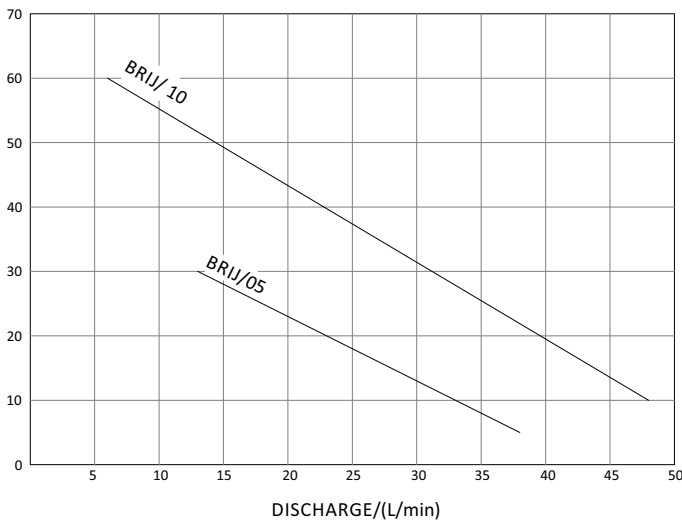
OVERVIEW



MATERIAL OF CONSTRUCTION

PART NO.	NAME	MATERIAL
1	Pump casing	Cast Iron
2	Impeller	Leaded bronze
3	Motor body	Mild steel
4	Shaft	Stainless steel
5	Mech. seal	Carbon-Ceramic
6	Winding	Copper
7	Ball bearings	High speed steel
8	Capacitor	PP film/Resin filled
9	Fan	Engg. plastic
10	Fan cover	Mild steel

PERFORMANCE CURVE



PERFORMANCE TABLE

PUMP	POWER kW / HP	OUTPUT IN LPM	TOTAL HEAD IN mtrs.							
			10	15	20	25	30	40	50	60
BRIJ 05	0.37 / 0.5	33	27	22	17	13	-	-	-	
BRIJ 10	0.75 / 1	48	43	40	35	32	23	14	6	

TABLE OF SIZES AND WEIGHTS

Model	A mm	B mm	C mm	Suc mm	Del mm	Net Wt kg	Packed wt kg	L×B×H mm
BRIJ 05	200	300	165	25	25	11.2	11.9	330×200×250
BRIJ 10	220	350	200	25	25	15.7	16.4	355×240×250



RAJ PUMPS PVT. LTD.

Water Solutions

G- 462-64, Basni Industrial Area, 2nd Phase, JODHPUR - 342005. (INDIA)

MAIL : salesrpl4@gmail.com